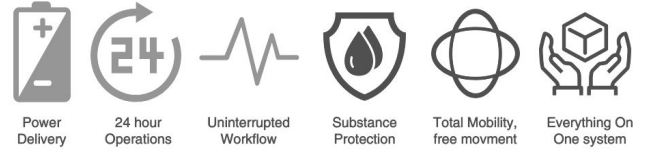


Marketing Datasheet

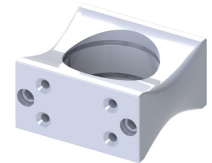
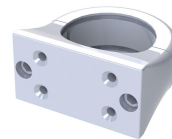
Rolling Medical Device Stand



The EcoStand is a light but strong roll stands for the mounting of small monitors or devices. It has a stable platform with heavy duty castors. Infection control friendly surface finishes, textures and materials allow for quick and effective cleaning. You can colour-code your EcoStand range and add accessories to compliment your working environment. Additionally, we can incorporate mobile power by adding our Geni-Tec™ Power On Pole power system.

Features

- Easy Cleaning
- Lightweight & Maneuverable
- Adjustable or Fixed height
- Compatible with our Geni-Tec™ Power on Pole System
- Small footprint for space saving
- Tablet and monitor mounts available
- Infection Control Friendly



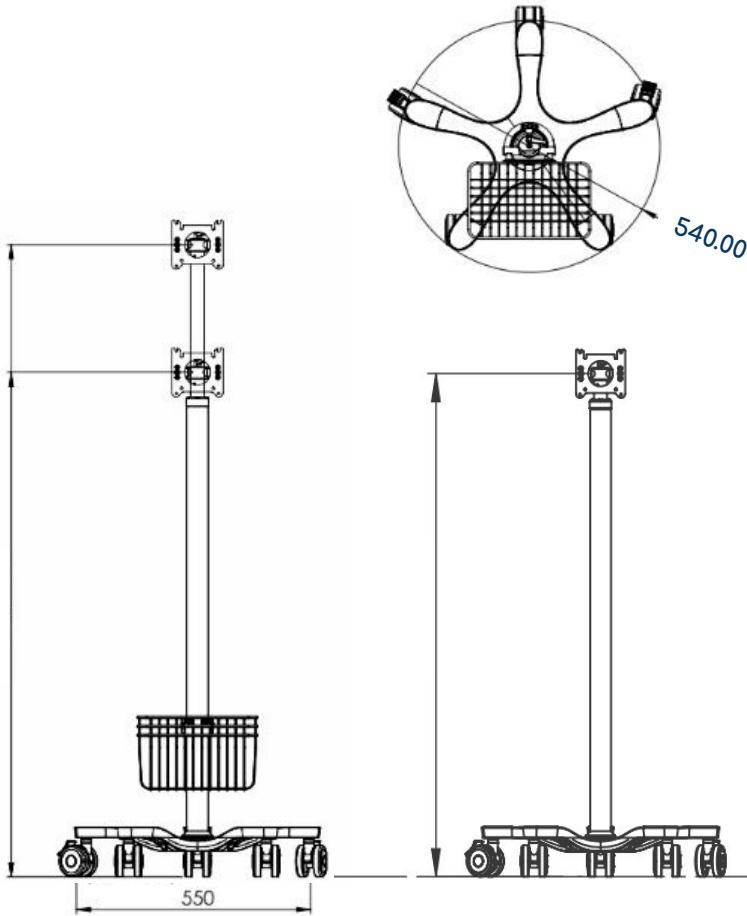
Mount limit	Tilt weight	Adjustable	Tilt	Pan	Rotation	Vesa	Wheels
Max 18kg	10°	767mm-1067mm	95°	360°	360°	100mm/75mm	2 years

Customization

For customisation options please contact the sales team on +44 (0) 1737 378 820

Technical Datasheet

Rolling Medical Device Stand



Height	1185 mm to 1585 mm - Adjustable 400mm (300mm range available)
Max Tilt Angle	400mm X 955mm
Max Carrying Load	28VDC (via Gen-PSU-180 Supplied Separately)
Star Base	600mm
Accessories Available	Handle, Basket, Medi-Rail, Mount, Cable Hook, Drip Pole, DC Adapter Holder
Mounting Options	Single and double accessory pole mounts available (For attaching accessories)
Castors	5 castors, 75mm, All braked
Geni-Tec System	P.O.P (Power-On-Pole) Single & Dual Dock available
Compliance	CE



Ordering

Please find the part number configurator below. For More configuration please visit our website.

Family	Product Description	Part Number
ECO	Display mount (VESA STD), Fixed height, Extrusion length (1000mm) - 5 Star base 600mm, Standard 75mm Wheels	CMS-F008-0064
	Display mount (VESA STD) , Height adjustable (400mm), Extrusion length (1000mm) - 5 Star base 600mm, Standard 75mm Wheels	CMS-W008-0364
	Mount plate (STD), Fixed height, Extrusion length (1000mm), 5 Star base 600mm, Standard 75mm Wheels	MDS-I008-0064

Notice

Bytec Healthcare takes reasonable steps to ensure that all technical information and recommendations disclosed in our datasheets, brochures and website are based upon our experience and research, it is provided in good faith. Users shall independently determine the suitability of the products shown for their particular regional requirements and intended use, and will ensure that they meet the relevant regulations for the countries of use, as these may differ greatly from country to country. As such we accept no liability whatsoever for any inaccuracies herein disclosed. Please feel free to contact our technical teams, who would be delighted to advise you on specific regulatory issues. Bytec Healthcare reserves the right to alter, delete or make obsolete any product featured in its brochures, datasheet and website without prior notice. E&OE. © Copyright Bytec Healthcare Limited 2019 EcoStand is a trademark of Bytec Healthcare Ltd.