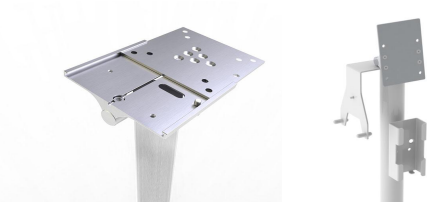


Product Datasheet Lightweight Device Stand



Features

- Easy Cleaning
- Lightweight & Maneuverable
- Adjustable or Fixed height
- Compatible with our GeniTec™ Power on Pole System
- Small footprint for space saving
- Monitor and device mounts available
- Infection Control Friendly



Description

The EcoStand is a light but strong roll stand for the mounting of small monitors or devices. It has a stable platform with heavy duty castors. Infection control friendly surface finishes, textures and materials allow for quick and effective cleaning. You can colour-code your EcoStand range and add accessories to compliment your working environment. Additionally, we can incorporate mobile power by adding our GeniTec™ Power On Pole power system.

					
Mount limit	Max Weight	Adjustable	Vesa	Castors	Power
Max 10kg	Max 10kg	1185mm-1585mm	100x100mm 75x75mm	All Brakes	P.O.P

Other options available:

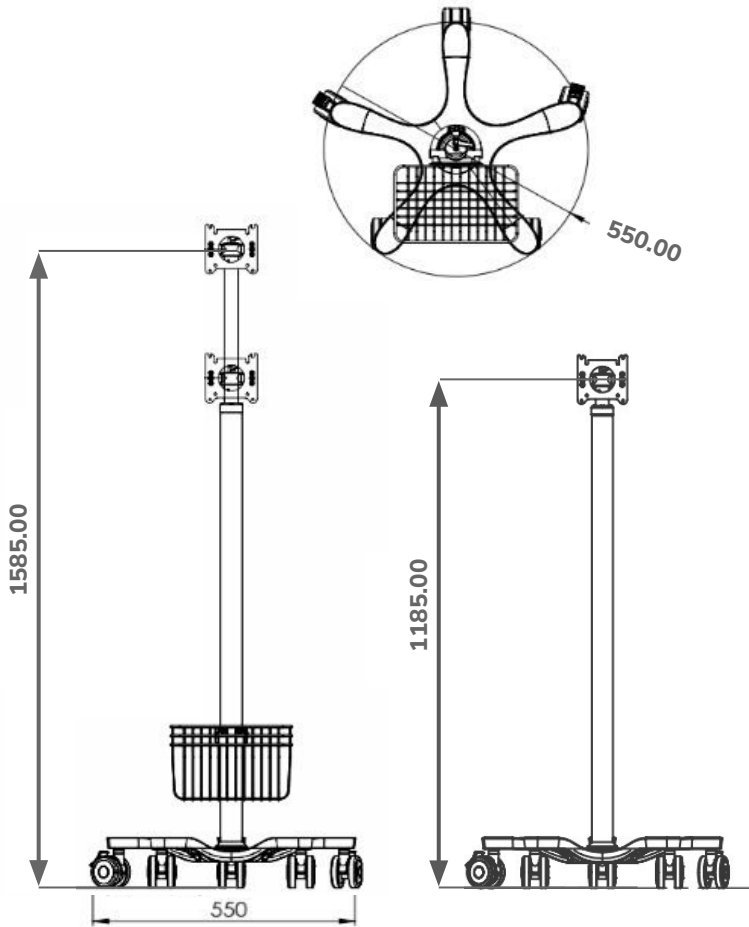
For other option please contact us to further discuss your solution requirements ether by emailing us on enquiry@bytec.co.uk or by calling us on **+44 (0) 1737 378 820**.



Notice

Bytec Healthcare takes reasonable steps to ensure that all technical information and recommendations disclosed in our datasheets, brochures and website are based upon our experience and research, it is provided in good faith. Users shall independently determine the suitability of the products shown for their particular regional requirements and intended use, and will ensure that they meet the relevant regulations for the countries of use, as these may differ greatly from country to country. As such we accept no liability whatsoever for any inaccuracies herein disclosed. Please feel free to contact our technical teams, who would be delighted to advise you on specific regulatory issues. Bytec Healthcare reserves the right to alter, delete or make obsolete any product featured in its brochures, datasheet and website without prior notice. E&OE. © Copyright Bytec Healthcare Limited 2022 ECOSTAND is a trademark of Bytec Healthcare Ltd.

Product Datasheet Lightweight Device Stand



Height Adjustable	
Height	1185 mm to 1585 mm - Adjustable 400mm (300mm range available)
Max Tilt Angle	10°(in a static tilt test) As per EN 60601-1 section 9.4.2.1
Base size	550mm
Accessories Available	Handle, Basket, Medi-Rail, Cable Hook, Drip Pole, PSU Adapter Holder, Keyboard Tray
Mounting Options	Single and double accessory pole mounts available (For attaching accessories)
Geni-Tec System	P.O.P (Power-On-Pole) Single & Dual Dock available
Castors	5 castors, 75mm, All braked
Compliance	CE, UKCA



Other option available:



Family	Base Models - Product Description
ECO	Display mount (VESA STD), Fixed height, Extrusion length (1000mm) 5 Star base 600mm, Standard 75mm Wheels
	Display mount (VESA STD), Height adjustable (400mm), Extrusion length (1000mm) 5 Star base 600mm, Standard 75mm Wheels