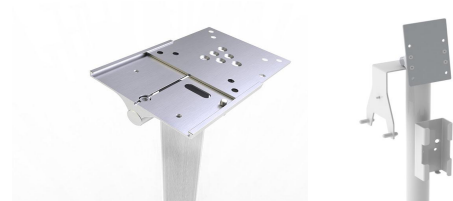


Product Datasheet Lightweight Device Stand



Features

- Easy Cleaning
- Lightweight & Maneuverable
- Adjustable or Fixed height
- Compatible with our GeniTec™ Power on Pole System
- Small footprint for space saving
- Monitor and device mounts available
- Infection Control Friendly



Description

Our lightweight EcoStand is the perfect solution for monitors and medical device stands available in both fixed and height adjustment. Featuring heavy duty castors and a full light metal frame this stand is build to last. The EcoStand is infection control friendly with all smooth finish and curvy body shape makes cleaning the stand far easier and in less time. The EcoStand has its own retrofit GeniTec power solution call the Power.On.Pole (P.O.P) that can support your monitor or medical device.

					
Mount limit	Max Weight	Adjustable	Vesa	Castors	Power
Max 10kg	Max 10kg	1185mm-1585mm	100x100mm 75x75mm	All Brakes	P.O.P

Other option available:

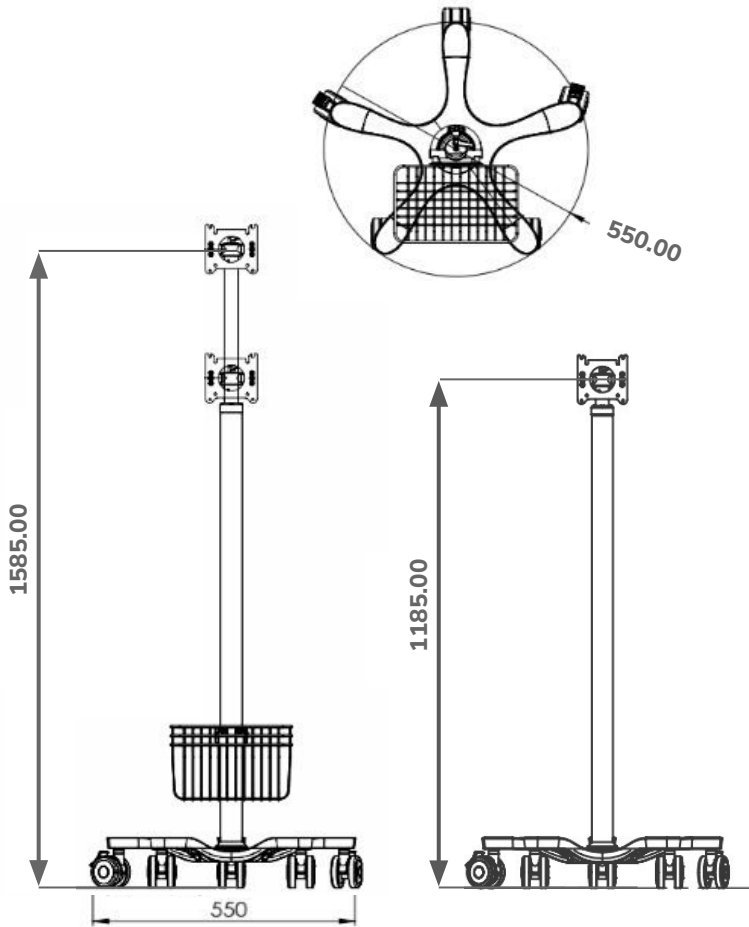
For other option please contact us to further discuss your solution requirements ether by emailing us on enquiry@bytec.co.uk or by calling us on **+44 (0) 1737 378 820**.



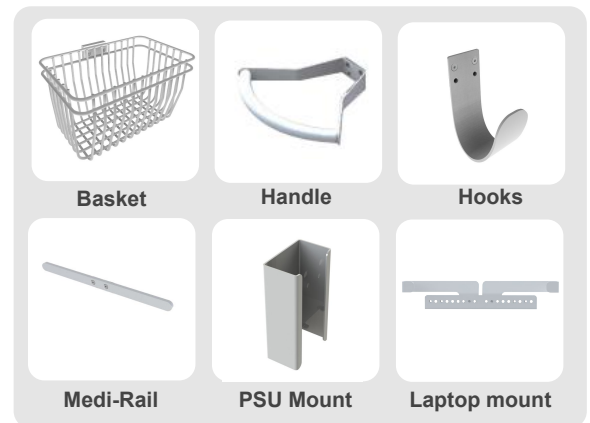
Notice

Bytec Healthcare takes reasonable steps to ensure that all technical information and recommendations disclosed in our datasheets, brochures and website are based upon our experience and research, it is provided in good faith. Users shall independently determine the suitability of the products shown for their particular regional requirements and intended use, and will ensure that they meet the relevant regulations for the countries of use, as these may differ greatly from country to country. As such we accept no liability whatsoever for any inaccuracies herein disclosed. Please feel free to contact our technical teams, who would be delighted to advise you on specific regulatory issues. Bytec Healthcare reserves the right to alter, delete or make obsolete any product featured in its brochures, datasheet and website without prior notice. E&OE. © Copyright Bytec Healthcare Limited 2022 ECOSTAND is a trademark of Bytec Healthcare Ltd.

Product Datasheet Lightweight Device Stand



Height Adjustable	
Height	1185 mm to 1585 mm - Adjustable 400mm (300mm range available)
Max Tilt Angle	10°(in a static tilt test) As per EN 60601-1 section 9.4.2.1
Base size	550mm
Accessories Available	Handle, Basket, Medi-Rail, Cable Hook, Drip Pole, PSU Adapter Holder, Keyboard Tray
Mounting Options	Single and double accessory pole mounts available (For attaching accessories)
Geni-Tec System	P.O.P (Power-On-Pole) Single & Dual Dock available
Castors	5 castors, 75mm, All braked
Compliance	CE, UKCA



Family	Base Models - Product Description
ECO	Display mount (VESA STD), Fixed height, Extrusion length (1000mm) 5 Star base 600mm, Standard 75mm Wheels
	Display mount (VESA STD) , Height adjustable (400mm), Extrusion length (1000mm) 5 Star base 600mm, Standard 75mm Wheels