

## Product Datasheet Overbed Terminal Workstation



### Description

The MediTable puts practicality and patient care first. When patient care is of utmost importance, providing the right platform, both in hardware and software can be a challenge.

In addition to our standard Meditable we have simplified the build to be more lightweight and provide a cost effective solution that combines the best features of our meditable and incorporate a tablet arm Mount.

Patients can learn more about the hospital's activity, health and safety, and accessing content relevant to their condition. While the staff have a convenient access point for accessing electronic patient records.



### Features

- Ergonomic Design
- Tablet Mount
- Easy-to-maneuver
- Easily cleaned
- Quickly positioned
- Lightweight design
- Slim adjustable arm for tablet computers (optional)

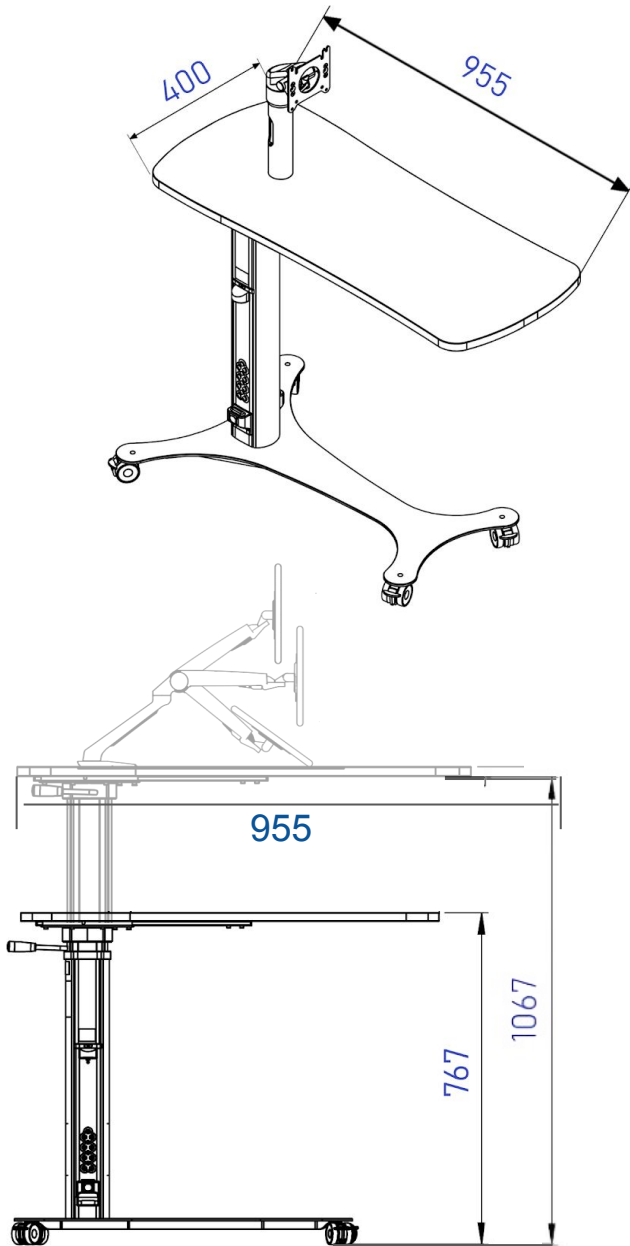
 Mount limit	 Max Weight	 Adjustable	 Vesa	 Castors	 Power
<b>Max 12kg</b>	<b>Max 18kg</b>	<b>767mm-1067mm</b>	<b>100x100mm 75x75mm</b>	<b>All Brakes</b>	<b>Optional</b>

#### Other option available:

For other option please contact us to further discuss your solution requirements either by emailing us on [enquiry@bytec.co.uk](mailto:enquiry@bytec.co.uk) or by calling us on **+44 (0) 1737 378 820**.



## Product Datasheet Overbed Terminal Workstation



Height	300 mm Range ( 767 mm-1067 mm) (400 mm range available on request)
Footprint	400 mm x 955 mm
System Input voltage	28 Vdc (via Gen-PSU-220 Supplied Separately)
Width of Unit	400 mm
Accessories Available	Handle, Basket, Medi-Rail, Mount, Cable Hook, DC Adapter Holder
Castors	5 castors, 100mm, All braked 4 Castors, 100mm, All braked
Geni-Tec System	Dual Dock push button release, adjustable regulated output 12-28V (Battery Modules Supplied Separately.)
Compliance	CE Power System ; EN/ES/IEC 60601-1 Power Module: IEC 62133, UL 2054, UN38.3



**Other option available:**



Optional : Tablet Computer holder

Family	Base Models - Product Description
OBC	Single Display, height adjustable, non powered
	Single Display, height adjustable, single powered
	Single Display, height adjustable, Dual powered

For other option please contact us to further discuss your solution requirements ether by emailing us on [enquiry@bytec.co.uk](mailto:enquiry@bytec.co.uk) or by calling us on **+44 (0) 1737 378 820**.