

## Product Datasheet

### GeniTec Power System



Single Power On Pole (P.O.P)



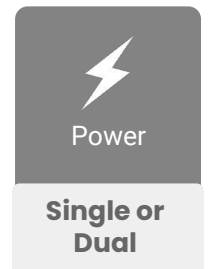
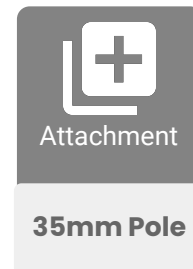
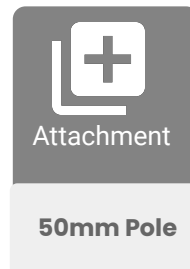
Double Power On Pole (P.O.P)

### Description

The GeniTec Power.On.Pole™ (P.O.P™) integrates our award winning GeniTec intelligent power system into a small form factor unit that can neatly fit onto any 2" (50mm) roll stand or pole. This self contained system wraps around the pole, bringing immediate mobile power for uninterrupted use (2 dock version)

Sleek in design, secure and robust the GeniTec™ system provides regulated DC to drive most applications, including our own EcoStand. Perfectly balanced, the 'Hot Swap' battery system means the Power.On.Pole solution enables otherwise static devices to stay mobile and can easily be retrofittable to existing equipment.

Our OEM design service can tailor your needs, to discuss the options available please contact us for more information.



### Features

- Easy cleaning
- Lightweight maneuverability
- Retrofit to existing equipment
- Power ready with our GeniTec™ power modules
- Sleek easy use design
- OEM customisation for specific applications
- Single or dual dock systems
- Easy washable 216 Wh power modules (IP67)



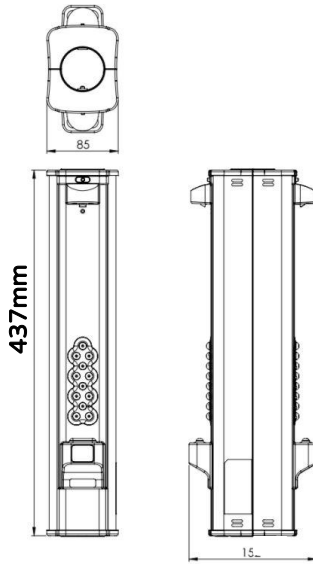
### Notice

Bytec Healthcare takes reasonable steps to ensure that all technical information and recommendations disclosed in our datasheets, brochures and website are based upon our experience and research, it is provided in good faith. Users shall independently determine the suitability of the products shown for their particular regional requirements and intended use, and will ensure that they meet the relevant regulations for the countries of use, as these may differ greatly from country to country. As such we accept no liability whatsoever for any inaccuracies herein disclosed. Please feel free to contact our technical teams, who would be delighted to advise you on specific regulatory issues. Bytec Healthcare reserves the right to alter, delete or make obsolete any product featured in its brochures, datasheet and website without prior notice. E&OE. © Copyright Bytec Healthcare Limited 2022 Power.On.Pole™ is a trademark of Bytec Healthcare Ltd.

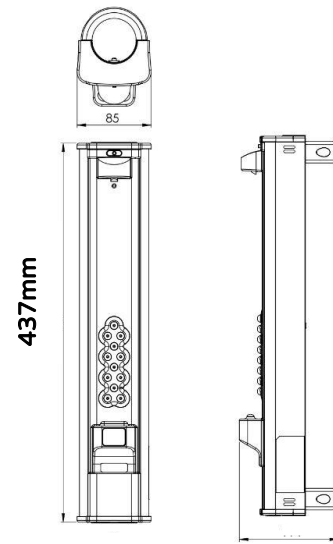
## Product Datasheet

GeniTec Power System

**Double Power On Pole**



**Single Power On Pole**



	Single Power On Pole	Dual Power On Pole
Input Voltage	28VDC (via optional GEN-PSU-220 Supplied Separately)	
Output Voltage	12-28 VDC (Firmware adjustable)	
Output Power (max)	150 W @ 19-28 VDC	100 W @ 12-18 VDC
Power Capacity (max)	216 Wh max	432 Wh max
Charge Current	4.0 A (max)	
Recharge Time	2.5 hrs (typ) - One power module	5.0 hrs (typ) - Two power modules
Operating Temperature	1°C to 40°C (34°F to 104°F)	
Storage Temperature	-10°C to 35°C (14°F to 95°F)	
Compliance	CE, UKCA	

Family	Base Models - Product Description
GENI	GeniTec Power on Pole (Single Dock / 35mm Pole)
	GeniTec Power on Pole (Single Dock / 50mm Pole)
	GeniTec Power on Pole (Dual Dock / 35mm Pole)
	GeniTec Power on Pole (Dual Dock / 50mm Pole)



**Other option available:**

For other option please contact us to further discuss your solution requirements ether by emailing us on [enquiry@bytec.co.uk](mailto:enquiry@bytec.co.uk) or by calling us on **+44 (0) 1737 378 820**.

