

Product Datasheet

Standard Non-powered Workstation



Features

- Easy cleaning
- Lightweight & maneuverable
- Ergonomically designed
- Height adjustable or fixed
- Small footprint for space saving
- Integrated cable management
- Tablet and monitor mounts available
- Versatile across multiple applications or uses.

Description

The MITCart is a beautifully engineered and elegant medical cart, which is extremely light and versatile. It occupies a minimal footprint with fully integrated cable management for non-cluttered work space, helping to maximise the effectiveness of the working environment while keeping it clean.

It has both 5 wheel star base or 4 wheel base options for different applications, offering an ergonomic solution for a fast paced healthcare environment. For complete mobility, the solution can be fitted with our award winning GeniTec Power solution, for “hot-swappable” battery replacement for continuous uninterrupted use.

| | | | | | |
|---|---|---|---|---|---|
|  |  |  |  |  |  |
| Mount limit | Max Weight | Adjustable | Vesa | Castors | Power |
| Max 12kg | Max 18kg | 820mm-1120mm | 100x100mm 75x75mm | All Brakes | Optional |

Other option available:

For other option please contact us to further discuss your solution requirements either by emailing us on enquiry@bytec.co.uk or by calling us on **+44 (0) 1737 378 820**.

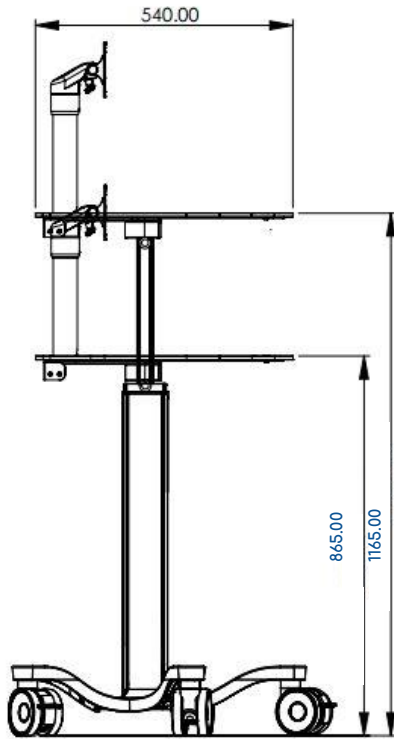


Notice

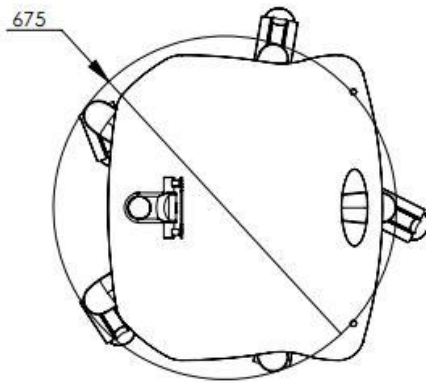
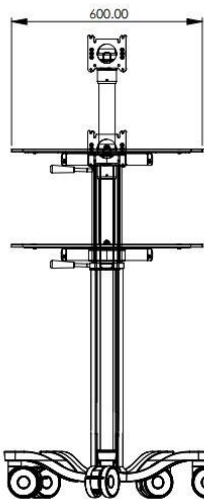
Bytec Healthcare takes reasonable steps to ensure that all technical information and recommendations disclosed in our datasheets, brochures and website are based upon our experience and research, it is provided in good faith. Users shall independently determine the suitability of the products shown for their particular regional requirements and intended use, and will ensure that they meet the relevant regulations for the countries of use, as these may differ greatly from country to country. As such we accept no liability whatsoever for any inaccuracies herein disclosed. Please feel free to contact our technical teams, who would be delighted to advise you on specific regulatory issues. Bytec Healthcare reserves the right to alter, delete or make obsolete any product featured in its brochures, datasheet and website without prior notice. E&OE. © Copyright Bytec Healthcare Limited 2022 MITCART is a trademark of Bytec Healthcare Ltd.

Product Datasheet

Standard Non-powered Workstation



| | Height Adjustable | Fixed Height |
|-----------------------|---|--|
| Height | 865mm to 1165mm (300mm range) | 995mm (Standard) or Various height options |
| Max Carrying Load | 18 kg (subject to height) | |
| Base size | 675mm diameter - 5 wheel base, Or 561 mm x 557 mm - 4 wheel base | |
| Accessories Available | Handle, Basket, Medi-Rail, Cable Hook, Drip Pole, PSU Adapter Holder, Keyboard Tray | |
| Castors | 5 castors, 100 mm, all braked 4 castors, 100 mm, all braked | |
| Compliance | CE, UKCA | |



Keyboard Tray



MediKey



Label Printer

Other option available:



Basket



Quick Release



Hooks

| Family | Base Models - Product Description |
|--------|--|
| MIT | Single display mount workstation cart with fixed height, extrusion length (875mm) 5 star base 675mm 100 mm Standard wheels |
| | Single display mount workstation cart, height adjustable (300mm), extrusion length (710mm) 5 star base 675mm 100 mm Standard wheels |
| | Workstation cart with laptop mount, fixed height, extrusion length (875mm) 5 star base 675mm 100 mm standard wheels |
| | Workstation cart with laptop mount, height adjustable (300mm), extrusion length (710mm) 5 star base 675mm 100 mm standard wheels |

For other option please contact us to further discuss your solution requirements ether by emailing us on enquiry@bytec.co.uk or by calling us on **+44 (0) 1737 378 820**.