

Product Datasheet Modular Mounting Solution



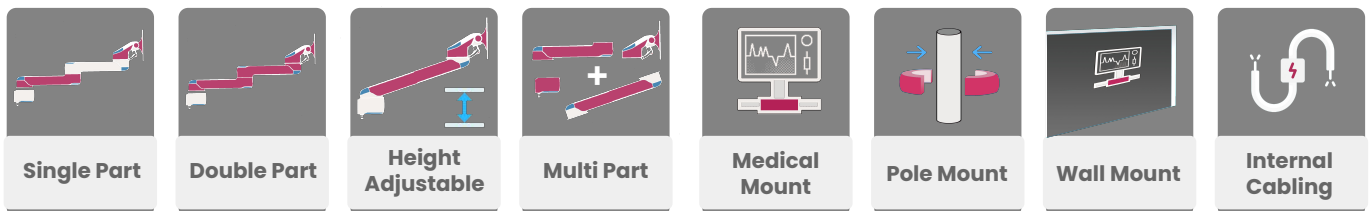
Features

- Low profile compact mounting system
- Smooth profile for easy cleaning
- Integrated cable management.
- Adjustable features, for ergonomic design
- Modular Parts for customisation
- Equipment fixings
- Medical device Mounts

Description

Our Novos arm range offers a complete modular mounting solution, including fixed adapters, arm sections, mounting options and accessories. Engineered for strength, adaptability and ease of installation, the Novos system includes a range of unique features. Ideal at supporting displays, panel PC's and diagnostic equipment, the arms are also available for mounting into walls, panels and poles.

Integrated cable management neatly routes within the structure of the arm, leaving you with a virtually wire-free installation.



Other option available:

For other option please contact us to further discuss your solution requirements ether by emailing us on enquiry@bytec.co.uk or by calling us on **+44 (0) 1737 378 820**.



Notice

Bytec Healthcare takes reasonable steps to ensure that all technical information and recommendations disclosed in our datasheets, brochures and website are based upon our experience and research, it is provided in good faith. Users shall independently determine the suitability of the products shown for their particular regional requirements and intended use, and will ensure that they meet the relevant regulations for the countries of use, as these may differ greatly from country to country. As such we accept no liability whatsoever for any inaccuracies herein disclosed. Please feel free to contact our technical teams, who would be delighted to advise you on specific regulatory issues. Bytec Healthcare reserves the right to alter, delete or make obsolete any product featured in its brochures, datasheet and website without prior notice. E&OE. © Copyright Bytec Healthcare Limited 2022 NOVOS™ is a trademark of Bytec Healthcare Ltd.

Product Datasheet

Modular Mounting Solution



Your
Complete
Solution

The Novos Modular Mounting System provides a comprehensive range of components that can be combined to provide over 12,000 permutations. Novos offers you a complete mounting solution, including fixing adapters, arms, mounting options and accessories.

Infection Control

The Novos System has been designed to meet the rigours of today's busy healthcare environment, not only in its sleek clean lines, but in the engineering detail hidden away inside. The whole system has been engineered to meet the highest standards expected within the medical sector.

As with all Bytec Healthcare products, the serious topic of infection control is high on our design brief. With the threat of "super bugs" becoming more widespread, the effectiveness of antibiotics, critically underpinning modern medical treatment, is significantly at risk. Novos is designed to ensure correct and simple cable management, minimising dirt traps, and providing smooth contoured surfaces which can be easily wiped clean.

Notice

Bytec Healthcare takes reasonable steps to ensure that all technical information and recommendations disclosed in our datasheets, brochures and website are based upon our experience and research, it is provided in good faith. Users shall independently determine the suitability of the products shown for their particular regional requirements and intended use, and will ensure that they meet the relevant regulations for the countries of use, as these may differ greatly from country to country. As such we accept no liability whatsoever for any inaccuracies herein disclosed. Please feel free to contact our technical teams, who would be delighted to advise you on specific regulatory issues. Bytec Healthcare reserves the right to alter, delete or make obsolete any product featured in its brochures, datasheet and website without prior notice. E&OE. © Copyright Bytec Healthcare Limited 2022 NOVOS™ is a trademark of Bytec Healthcare Ltd.

Novos Engineering

Engineered for strength, adaptability and ease of installation and re-configuration, the Novos Modular Mounting System includes unique patent-pending* features.

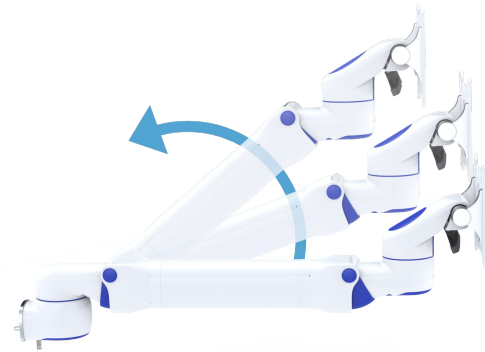
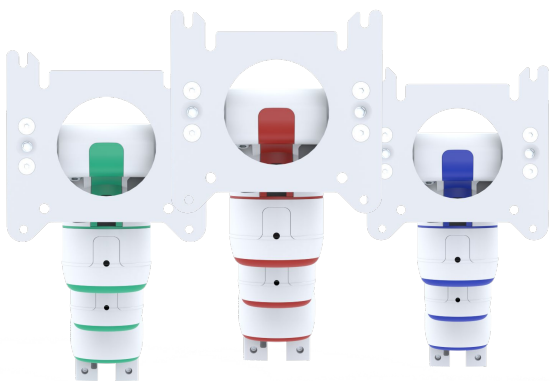
Novos is ideal for supporting displays, panel PCs and diagnostic equipment. Furthermore we can provide beyond our own design and use the novos modular systems as a base point for a new project. Providing already engineered parts makes constructing a new build very easy. With parts already design you can boost your design development and get closer to launching sooner.

For more information please contact our special team for project support on +44 (0) 1737 378 820 or by emailing enquiry@bytec.co.uk

Product Datasheet Modular Mounting Solution

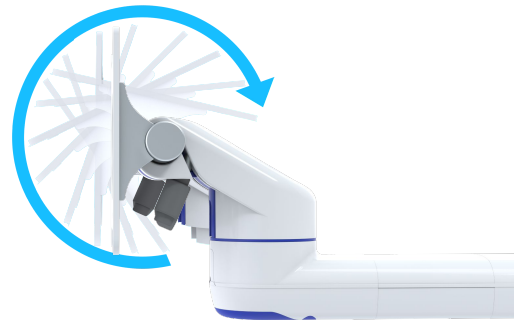
Medical Rail Mounts

Medi-rail systems can be found in most hospitals, so these adapters allow arms to be fitted conveniently to existing solutions. Also available in horizontal and vertical types.



Pole Mounts

In many operating room environments, the use of poles as a means of attaching equipment to overhead gantries are commonplace. These pole mount types can be used to attach to various pole diameters.



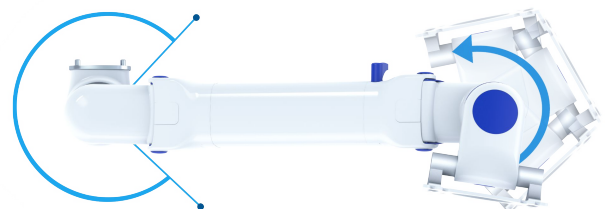
Medical Rail Mounts

Medi-rail systems can be found in most hospitals, so these adapters allow arms to be fitted conveniently to existing solutions. Also available in horizontal and vertical types.



Pole Mounts

In many operating room environments, the use of poles as a means of attaching equipment to overhead gantries are commonplace. These pole mount types can be used to attach to various pole diameters.



Medical Rail Mounts

Medi-rail systems can be found in most hospitals, so these adapters allow arms to be fitted conveniently to existing solutions. Also available in horizontal and vertical types.

Product Datasheet Medical Mounting Solution



Combination 1



Combination 2



Combination 3



Combination 4



NMK-FA-20-00
Universal Pole Clamp (20-42mm)

+



NMK-HA-410-00
180mm Arm Extension Kit

+



NMK-HA-350-00*
Lockable Height Adjustable Arm kit

+



NMK-MH-01-00
45deg Mount Head Kit

+



NMK-VS-01-00
75mm/100mm VESA Mount Kit

Configurations

Configuring the Novos arm is made simple as each individual part is specifically designed to be attached at any stage of the configuration. This makes it simple to tailor your mounting solution needs with our novos arm range. Above is an example of a configuration. This setup is represented in combination 1 above..

The beauty of this mounting solution is the freedom of choice, giving multiple configuration and the best part is you can create it. Pick your parts and add them as shown in diagram .



Cable Management

Our Innovative internal cable management system allows the cables to be hidden inside the arm, keeping it clean and tidy without compromising its strength and stability. Our method of internal cable management is a pending patent.

Warranty

All our Novos range carry a 5 year warranty applied to materials and workmanship.
Where applicable, a 2 year warranty applies for the power system with 2 year against battery manufacturer defects (Only in the UK)

Product Datasheet Medical Mounting Solution



Wall Channels

Our channel adaptors are available in both horizontal and vertical, these adaptors can be used to fit onto wall channel extrusion, as well as our carts and stands.

Medical Rail Mounts

Medi-rail systems can be found in most hospitals, so these adaptors allow arms to be fitted conveniently to existing solutions. Also available in horizontal and vertical types.



Pole Mounts

In many operating room environments, the use of poles as a means of attaching equipment to overhead gantries are commonplace. These pole mount types can be used to attach to various pole diameters.

Mounting heads



Available with horizontal mount, or 45 deg mount with cable routing.

We have a variety of mounting heads, providing a large amount of options to fit all types of screens and equipment, including standard mounts for displays and keyboards.



Mount KIT

We also provide specialist mounting options for special requirements we have a range of kits to help attach medical equipment from different manufacturers.

Notice

Bytec Healthcare takes reasonable steps to ensure that all technical information and recommendations disclosed in our datasheets, brochures and website are based upon our experience and research, it is provided in good faith. Users shall independently determine the suitability of the products shown for their particular regional requirements and intended use, and will ensure that they meet the relevant regulations for the countries of use, as these may differ greatly from country to country. As such we accept no liability whatsoever for any inaccuracies herein disclosed. Please feel free to contact our technical teams, who would be delighted to advise you on specific regulatory issues. Bytec Healthcare reserves the right to alter, delete or make obsolete any product featured in its brochures, datasheet and website without prior notice. E&OE. © Copyright Bytec Healthcare Limited 2022 NOVOS™ is a trademark of Bytec Healthcare Ltd.

For Locking
Gas Strut



Gas Strut Arms

Our Height adjustable gas strut arms comes with lockable function options. Providing 385mm of height adjustability

Arm Sections

Two arm sections are available, and have been designed to support heavy loads. Any combination of these 180mm and 230mm arms can be used.



Arm Extensions

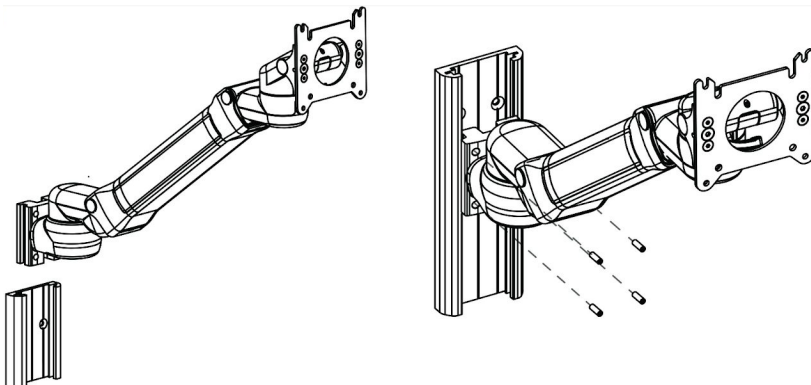
These arm extensions are designed to support heavier loads. They can be used with the Height Adjustable arm as an extension.



Customisation

The modular design allows for a number of different configuration for differing applications and environments. However, we understand that this may not always be enough. If you require something specific, then please let us know your requirement.

Our in-house UK development team will be able to support your project from start to finish.



Installation

Simply and straight forward installation in channel or pole.

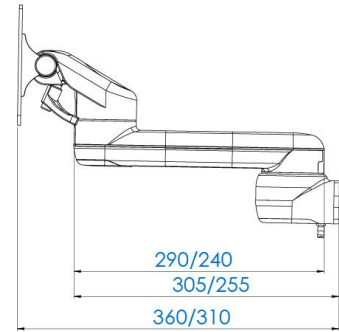
Product Datasheet Medical Mounting Solution

Specification (Examples)

Novos 500 Single Arm Mounting Solution

160 degree turn on two joints. Tilting VESA mount bracket.

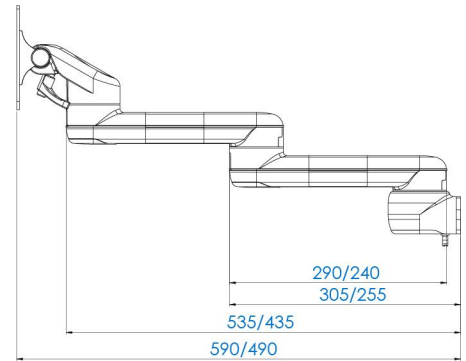
Arm Length	740mm (horizontal position, excludes mount)
Max Weight	8kg
Material	Aluminium and Plastic
Colour	White or Cool Grey (arm)-Blue or Grey (trim)



Novos 500 Double Arm Mounting Solution

160 degree turn on all joints. Tilting VESA mount bracket.

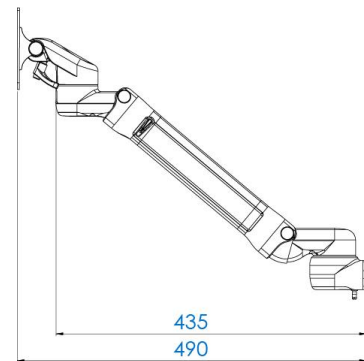
Arm Length	740mm (horizontal position, excludes mount)
Max Weight	8kg
Material	Aluminium and Plastic
Colour	White or Cool Grey (arm)-Blue or Grey (trim)



Novos 2000 Height Adjustable Mounting Solution

160 degree turn on all joints. Tilting VESA mount bracket. Lockable positioning. Built in gas spring for assisted support.. **385mm height adjustability**

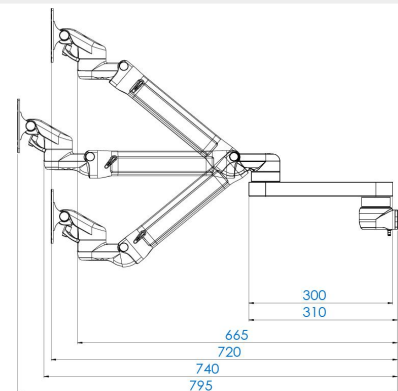
Arm Length	740mm (horizontal position, excludes mount)
Max Weight	8kg
Material	Aluminium and Plastic
Colour	White or Cool Grey (arm)-Blue or Grey (trim)



Novos 2000 Height Adjustable Mounting + Extension

160 degree turn on all joints. Tilting VESA mount bracket. Joint extension and lockable options. Built in gas spring for assisted support. **385mm height adjustability**

Arm Length	740mm (horizontal position, excludes mount)
Max Weight	8kg
Material	Aluminium and Plastic
Colour	White or Cool Grey (arm)-Blue or Grey (trim)



Product Datasheet Medical Mounting Solution

NMS - XX - XX X - XX XX - X X

Fixing Adapters

Wall Channel Adapter

- 00 - Vertical Wall Channel
- 01 - Horizontal wall channel

Pole Mount

- 20 - Universal Pole Clamp (25-50 mm height)
- 21 - Fixed 50 mm pole clamp

Rail systems

- 40 - 8mm
- 41 - 10 mm 25 mm vertical

OEM Fixing - Please call for details

Fixing available for other manufacturers' system, including Philips & Trumpf

Arm Type

Fixed Height Arm

- 00 - No Arm, flush mount
- 11 - Single Arm 180 mm Section
- 12 - Single Arm 230 mm Section
- 21 - Double Arm 180 mm Section
- 22 - Double Arm 230 mm Section

Adjustable Height Arm (435 mm section)

- 30 - Adjustable Arm
- 35 - Adjustable Arm with lock
- 40 - Adjustable Arm + 230mm extension
- 45 - Adjustable Arm with lock + 230mm extension

Gas Support Spring

Fixed Height Arm

- 00 - No Gas Spring

Adjustable Height Arm

- 1 - 3 Kg to 6 Kg Gas Spring
- 2 - 7 Kg to 10 Kg Gas Spring
- 3 - 11 Kg to 14 Kg Gas Spring

Arm Color

- 00 - White
- 01 - Cool Grey 2C

Mounting Options

Standard

- VS 00 - No Arm, flush mount
- VS 11 - Single Arm 180 mm Section
- LT 00 - Single Arm 230 mm Section
- QR 00 - Double Arm 180 mm Section
- KB 1x - Double Arm 230 mm Section
- KB 2x - Adjustable Arm
- KB 3x - Adjustable Arm with lock

- IT 1x - Display and fixing Keyboard "V" Mount
- IT 2x - Display and fixing Keyboard "Z" Mount
- IT 3x - Display and Folding Keyboard "Z" Mount

- 1 - Medi-Key Tray
- 2 - Small keyboard Tray
- 3 - Medium Keyboard Tray
- 4 - Large Keyboard Tray

Philips

- PH 10 - IntelliVue MP 20-70
- PH 20 - IntelliVue MP 80, 90
- PH 30 - IntelliVue MP2
- PH 40 - IntelliVue MX 800
- PH 50 - SureSigns / Vital Signs

Spacelabs

- 1 - Medi-Key Tray
- 2 - Small keyboard Tray
- 3 - Medium Keyboard Tray

Fukuda

- 1 - Medi-Key Tray
- 2 - Small keyboard Tray
- 3 - Medium Keyboard Tray

Trim Color

- 00 - Blue
- 01 - Grey

Notice

Bytec Healthcare takes reasonable steps to ensure that all technical information and recommendations disclosed in our datasheets, brochures and website are based upon our experience and research, it is provided in good faith. Users shall independently determine the suitability of the products shown for their particular regional requirements and intended use, and will ensure that they meet the relevant regulations for the countries of use, as these may differ greatly from country to country. As such we accept no liability whatsoever for any inaccuracies herein disclosed. Please feel free to contact our technical teams, who would be delighted to advise you on specific regulatory issues. Bytec Healthcare reserves the right to alter, delete or make obsolete any product featured in its brochures, datasheet and website without prior notice. E&OE. © Copyright Bytec Healthcare Limited 2022 NOVOS™ is a trademark of Bytec Healthcare Ltd.