

## Product Datasheet Internal Laptop Workstation



### Features

- Easy cleaning
- Lightweight maneuverability
- Height Adjustable Or Fixed Height
- Compatible with our GeniTec™
- Small footprint for space saving
- Tablet and monitor mounts available
- Infection control friendly



### Description

The LTCart is designed to securely house a laptop within its worktop providing a mobile workstation with extended battery life. A simple solution to extend your IT fleet. Use our LTCart to keep your laptop secure while in use and easily swapped when changing staff.

Our LTCart provides an easy-to-manuever height adjustable cart that accepts most laptops in a variety of sizes. We have focused on an ergonomic design to best suit a healthcare environment, while allowing for easy strip down for cleaning. With a built in keyboard tray, optional lockable drawer, and a range of attachments and accessories you will be sure to find the perfect fit.

					
Mount limit	Max Weight	Adjustable	Vesa	Castors	Power
<b>Max 12kg</b>	<b>Max 18kg</b>	<b>815mm-1115mm</b>	<b>NA</b>	<b>All Brakes</b>	<b>Optional</b>

### Notice

Bytec Healthcare takes reasonable steps to ensure that all technical information and recommendations disclosed in our datasheets, brochures and website are based upon our experience and research, it is provided in good faith. Users shall independently determine the suitability of the products shown for their particular regional requirements and intended use, and will ensure that they meet the relevant regulations for the countries of use, as these may differ greatly from country to country. As such we accept no liability whatsoever for any inaccuracies herein disclosed. Please feel free to contact our technical teams, who would be delighted to advise you on specific regulatory issues. Bytec Healthcare reserves the right to alter, delete or make obsolete any product featured in its brochures, datasheet and website without prior notice. E&OE. © Copyright Bytec Healthcare Limited 2022 LTCART is a trademark of Bytec Healthcare Ltd.

# Product Datasheet

## Internal Laptop Workstation



### Interlocking Security

The LTCart features our new interlocking security work surface which encloses and locks your laptop into the cart. The laptop is neatly hidden away only allowing the screen to be visible while providing a useable workspace, and adequate equipment fanless ventilation.

### Keyboard Tray

Easy to use, easy to hide, keyboard tray and mouse pad combo. Our slim compacted design neatly hides the keyboard tray when not in use, as well as providing additional space for more attachments.



### Drawers & Keyboard

Combine the space saving attachments to give you more room for essential storage. Our selections of drawers comes in both small (as shown) & larger configurations.

### Standard Laptop Mount

If an enclosed laptop cart is not what you are looking for then there is always our standard laptop mount which secures your laptop externally from the cart. **Visit our website for more configurations.**



### Available Cart Shelving

Attach multiple shelves to create more space for device and document placement. With an additional platform you can make better use of your carts space.



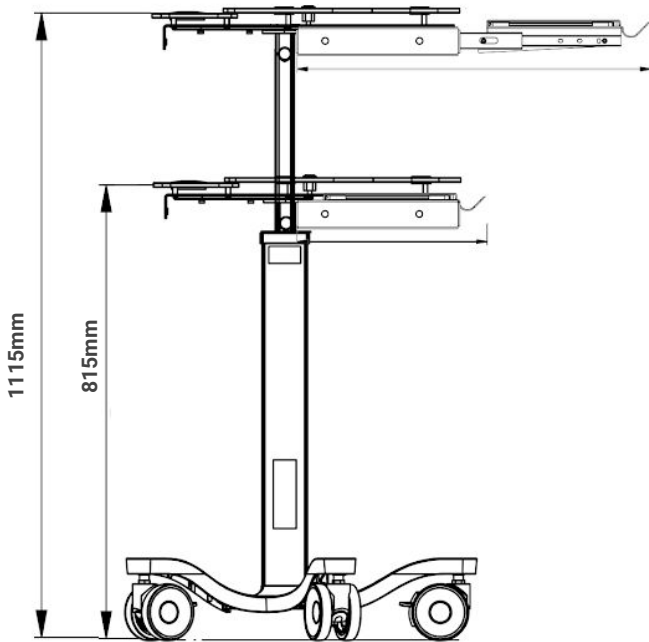
#### Other option available:

For other option please contact us to further discuss your solution requirements ether by emailing us on [enquiry@bytec.co.uk](mailto:enquiry@bytec.co.uk) or by calling us on **+44 (0) 1737 378 820**.

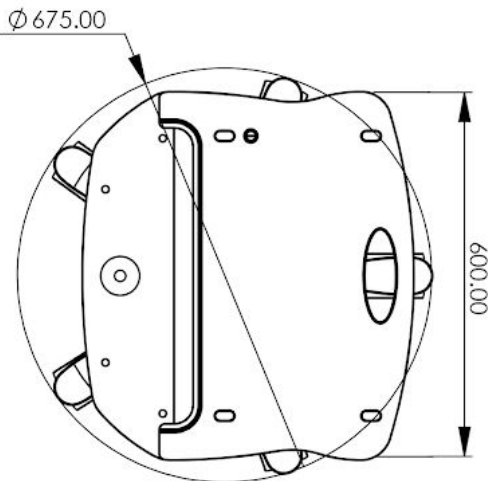


# Product Datasheet

## Internal Laptop Workstation



System Input Voltage	28 VDC (via optional GEN-PSU-220 Supplied Separately) <i>Only with GeniTec</i>
Max Tilt Angle	10 Degrees (in a static tilt test) As per EN-60601-1 section 9.4.2.1
Max Carrying Load	18 kg (subject to height)
Base	5 Wheel Star base - 675mm diameter 4 wheel base - 561mm x 557mm
Accessories Available	Handle, Basket, Medi-Rail, Cable Hook, Drip Pole, PSU Adapter Holder, Keyboard Tray
Castors (Standard)	5 Castors, 100mm, All braked 4 Castors, 100mm, All braked
Geni-Tec System	Single & Dual-dock systems available
Compliance	CE, FCC, UKCA Power System ; EN/ES/IEC 60601-1 Power Module: IEC 62133, UL 2054, UN38.3



Basket

Handle

Hooks

**Other option available:**

Medi-Rail

PSU Mount

Laptop mount

Family	Base Models - Product Description
wow	Internal Laptop Cart, height adjustable (300mm), Extrusion length (710mm) - Non Powered - 5 star base 675mm 100 mm standard wheels
	Internal Laptop Cart, height adjustable (300mm) capability ,Extrusion length (710mm) - Single Dock - 5 star base 675mm 100 mm Pro wheels
	Internal Laptop Cart, height adjustable (300mm) capability ,Extrusion length (710mm) - Dual Dock - 5 star base 675mm 100 mm Pro wheels

For other option please contact us to further discuss your solution requirements ether by emailing us on [enquiry@bytec.co.uk](mailto:enquiry@bytec.co.uk) or by calling us on **+44 (0) 1737 378 820**.