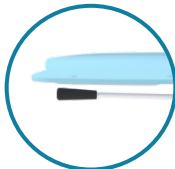


Product Datasheet Standard Powered Workstation



Features

- Easy Cleaning & Silver-ion defence
- Award winning power solution
"hot-swappable" Dual system
- Lightweight Maneuverability
- Ergonomically Designed
- Small footprint for space saving
- Heavy duty castors, all wheel braking
- Robust construction for busy environments
- Custom mount fittings and accessories
- Wireless cable management system, no trip hazards
- Height Adjustable or Fixed Height
- High capacity water resistant power module (IP67), for shift-to-shift use and easy cleaning

Description

The GeniCart is a beautifully engineered powered medical cart. Designed to be light and versatile with minimal footprint and integrated cable management for non-cluttered workspace, helping to maximise the effectiveness of the working environment.

This cart offers an ergonomic solution for a fast paced healthcare environment. It is powered by our award winning GeniTec power solution, which is seamlessly integrated into the cart for "Hot-Swappable" capabilities for an uninterrupted session.

					
Mount limit	Max Weight	Adjustable	Vesa	Castors	Power
Max 12kg	Max 18kg	810mm-1110mm	100x100mm 75x75mm	All Brakes	Yes

Other option available:

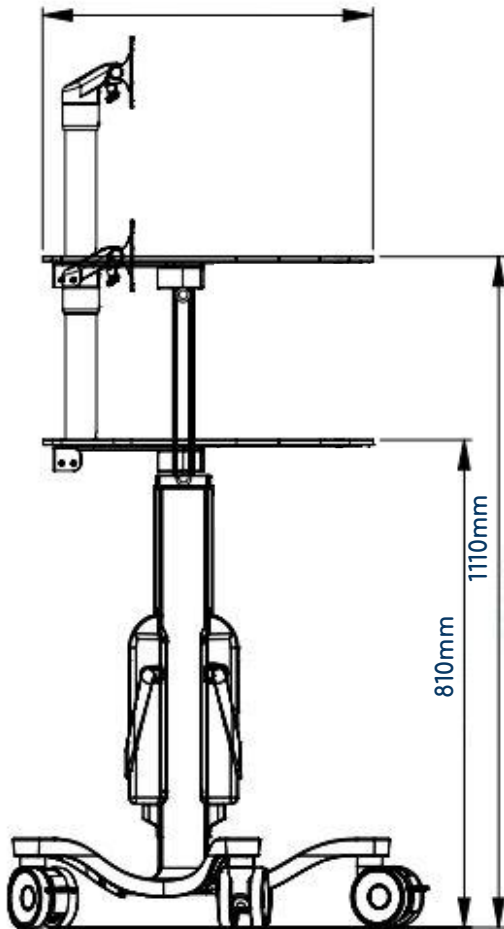
For other option please contact us to further discuss your solution requirements either by emailing us on enquiry@bytec.co.uk or by calling us on **+44 (0) 1737 378 820**.



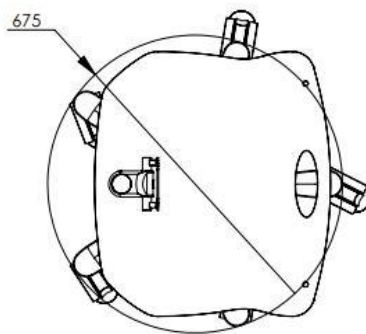
Notice


Bytec Healthcare takes reasonable steps to ensure that all technical information and recommendations disclosed in our datasheets, brochures and website are based upon our experience and research, it is provided in good faith. Users shall independently determine the suitability of the products shown for their particular regional requirements and intended use, and will ensure that they meet the relevant regulations for the countries of use, as these may differ greatly from country to country. As such we accept no liability whatsoever for any inaccuracies herein disclosed. Please feel free to contact our technical teams, who would be delighted to advise you on specific regulatory issues. Bytec Healthcare reserves the right to alter, delete or make obsolete any product featured in its brochures, datasheet and website without prior notice. E&OE. © Copyright Bytec Healthcare Limited 2022 GENICART is a trademark of Bytec Healthcare Ltd.

Product Datasheet Standard Powered Workstation




	Height Adjustable
Height	300mm Range (810mm-1110mm)
Footprint	400mm X 955mm
System Input Voltage	28VDC (via Gen-PSU-220 Supplied Separately)
Base size	675mm diameter - 5 wheel base, Or 561 mm x 557 mm - 4 wheel base
Accessories Available	Handle, Basket, Medi-Rail, Cable Hook, Drip Pole, PSU Adapter Holder, Keyboard Tray
Castors	5 castors, 100 mm, all braked 4 castors, 100 mm, all Braked
GeniTec System	Dual Dock push button release, adjustable regulated output 12-28V (Battery Modules Supplied Separately,)
Compliance	CE, UKCA, FCC Power System ; EN/ES/IEC 60601-1 Power Module: IEC 62133, UL 2054, UN38.3






Basket





Handle




Hooks

Other option available:






Medi-Rail



PSU Mount



Laptop mount

Family	Base Models - Product Description
GENI	Single Display with height adjustable (300mm) capability, Extrusion length (710mm) - Single Dock - 5 star base 675mm - 100mm Standard wheels
	Laptop Mount with height adjustable (300mm) capability ,Extrusion length (710mm) - Single Dock - 5 star base 675mm - 100mm Standard wheels
	Single Display with height adjustable (300mm) capability ,Extrusion length (710mm) - Dual Dock - 5 star base 675mm - 100mm Standard wheels

For other option please contact us to further discuss your solution requirements ether by emailing us on enquiry@bytec.co.uk or by calling us on **+44 (0) 1737 378 820**.